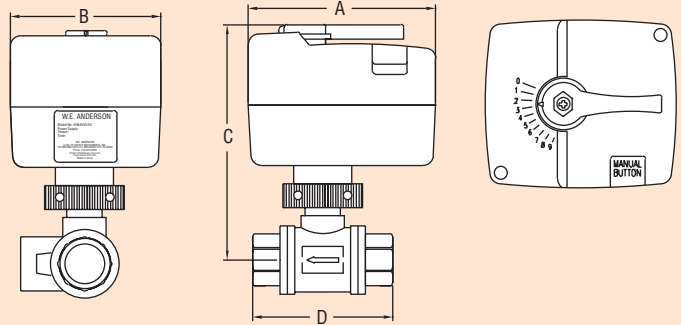




Series  
3HBAV

# Three-Way Detachable Electric Ball Valve

## Floating or Modulating, Position Indicator



| Size   | A in [mm]  | B in [mm] | C in [mm]  | D in [mm]  | Weight lb [kg] |
|--------|------------|-----------|------------|------------|----------------|
| 1/2"   | 3.62 [92]  | 3.03 [77] | 4.53 [115] | 2.68 [68]  | 1.43 [0.65]    |
| 3/4"   | 3.62 [92]  | 3.03 [77] | 4.53 [115] | 2.68 [68]  | 1.54 [0.70]    |
| 1"     | 3.62 [92]  | 3.03 [77] | 4.72 [120] | 3.23 [82]  | 2.09 [0.95]    |
| 1-1/4" | 4.84 [123] | 3.07 [78] | 5.16 [131] | 3.86 [98]  | 3.20 [1.45]    |
| 1-1/2" | 4.84 [123] | 3.07 [78] | 5.16 [131] | 4.13 [105] | 3.31 [1.50]    |
| 2"     | 4.84 [123] | 3.07 [78] | 5.31 [135] | 4.80 [122] | 4.19 [1.90]    |

The Series 3HBAV is an electrical ball valve ideal for flow control in hot and cold water HVAC systems. These valves are typically used in conjunction with air conditioning systems, heating systems, water treatment and production industries. The 3HBAV is electrically driven open and/or closed via a bidirectional AC motor. The electrical valve offers a detachable actuator with position switches and indicator. The 3HBAV is available with modulating or floating actuators.

### FEATURES

- Manual override
- Detachable actuator
- High Cv values

### SPECIFICATIONS

**Service:** Compatible fluids.

**Body:** 3-way, NC.

**Line Size:** 1/2 to 2" NPT.

**End Connections:** Female NPT.

**Pressure Limits:** Max: 375 psi (25 bar); Close off: 87 psi (6 bar).

**Temperature Limit:**

Ambient: -22 to 158°F (-30 to 70°C);

Process: 23 to 122°F (-5 to 50°C).

**Wetted Materials:** Brass, SS, NBR, PTFE.

**Input:** Floating: 3-wire; Modulating: 4 to 20 mA (24 VAC power only).

**Power Requirements:** 120 VAC or 24 VAC, 50/60 Hz, single phase.

**Power Consumption:** Floating: 3 to 5 VA; Modulating: 4 VA.

**Electrical Connection:** 18 AWG.

**Cycle Time (per 90°):** 1/2 to 1": 45 s.; 1-1/4 to 2": 50 s.

**Enclosure Rating:** NEMA 1 (IP10).

**Housing Material:** Plastic, nylon, and polyoxymethylene.

**Weight:** See table.

| Model     | Cv   | Size | Supply Voltage | Input      | Model     | Cv   | Size   | Supply Voltage | Input      |
|-----------|------|------|----------------|------------|-----------|------|--------|----------------|------------|
| 3HBAV0212 | 4.5  | 1/2" | 120 VAC        | Floating   | 3HBAV0512 | 17.9 | 1-1/4" | 120 VAC        | Floating   |
| 3HBAV0214 | 4.5  | 1/2" | 24 VAC         | Floating   | 3HBAV0514 | 17.9 | 1-1/4" | 24 VAC         | Floating   |
| 3HBAV0224 | 4.5  | 1/2" | 24 VAC         | Modulating | 3HBAV0524 | 17.9 | 1-1/4" | 24 VAC         | Modulating |
| 3HBAV0312 | 7.0  | 3/4" | 120 VAC        | Floating   | 3HBAV0612 | 27.9 | 1-1/2" | 120 VAC        | Floating   |
| 3HBAV0314 | 7.0  | 3/4" | 24 VAC         | Floating   | 3HBAV0614 | 27.9 | 1-1/2" | 24 VAC         | Floating   |
| 3HBAV0324 | 7.0  | 3/4" | 24 VAC         | Modulating | 3HBAV0624 | 27.9 | 1-1/2" | 24 VAC         | Modulating |
| 3HBAV0412 | 11.2 | 1"   | 120 VAC        | Floating   | 3HBAV0712 | 44.7 | 2"     | 120 VAC        | Floating   |
| 3HBAV0414 | 11.2 | 1"   | 24 VAC         | Floating   | 3HBAV0714 | 44.7 | 2"     | 24 VAC         | Floating   |
| 3HBAV0424 | 11.2 | 1"   | 24 VAC         | Modulating | 3HBAV0724 | 44.7 | 2"     | 24 VAC         | Modulating |

VALVES

Valves, Ball,  
Automated